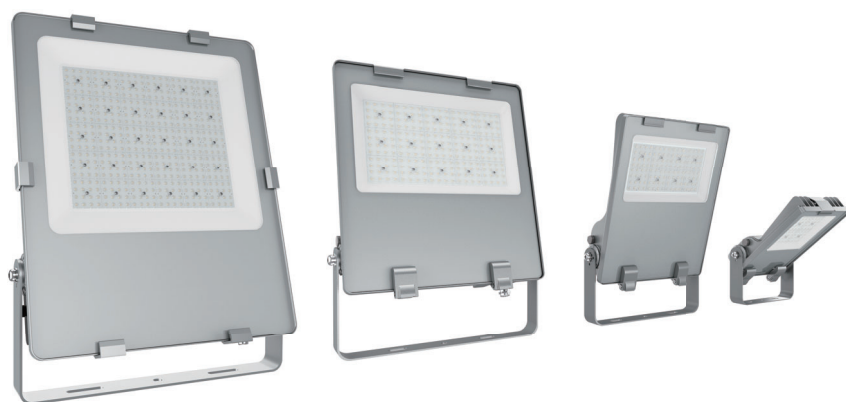


# ZOOM LED Flood Light

**5** YEAR  
WARRANTY



## Areas of application

- Recreational sports
- Billboard lighting
- Accent lighting
- Parking lots
- Roundabout
- Outdoor sports

## Product Benefits

- Up to 100,000hrs @ L70, low maintenance cost
- World class, approbated quality components (LEDs /Driver /etc.)
- Equipped with vent to avoid internal fogging and frosting
- Wide choice of optics to suit more applications (asymmetrical and symmetrical)
- Buckle design makes it very easy for further maintenance
- 5 years warranty

## Product Features

- Luminaire efficacy: Up to 170 lm /w
- Lifetime more than 100,000 hours
- Impact resistance: IK10
- Type of protection: IP66



## Product Datasheet

### Version S

Model No	ZGSM-FL07-30M	ZGSM-FL07-30M+	ZGSM-FL07-40M	ZGSM-FL07-50M	
Nominal Wattage	30W	30W	40W	50W	
3030 Version	Efficiency Lumen	140 lm /w 4200 lm	155 lm /w 4650 lm	150 lm /w 6000 lm	140 lm /w 7000 lm

### Version M

Model No	ZGSM-FL07-60M	ZGSM-FL07-60M+	ZGSM-FL07-80M	ZGSM-FL07-80M+	ZGSM-FL07-100M	ZGSM-FL07-120M	
Nominal Wattage	60W	60W	80W	80W	100W	120W	
3030 Version	Efficiency Lumen	150 lm /w 9000 lm	165 lm /w 9900 lm	145 lm /w 11600 lm	160 lm /w 12800 lm	145 lm /w 14500 lm	145 lm /w 17400 lm
5050 Version	Efficiency Lumen	160 lm /w 9600 lm	170 lm /w 10200 lm	155 lm /w 12400 lm	165 lm /w 13200 lm	155 lm /w 15500 lm	155 lm /w 18600 lm

### Version L

Model No	ZGSM-FL07-150L	ZGSM-FL07-150L+	ZGSM-FL07-180L	ZGSM-FL07-180L+	ZGSM-FL07-200L	ZGSM-FL07-240L	
Nominal Wattage	150W	150W	180W	180W	200W	240W	
3030 Version	Efficiency Lumen	145 lm /w 21750 lm	160 lm /w 24000 lm	150 lm /w 27000 lm	155 lm /w 27900 lm	145lm /w 29000 lm	140 lm /w 33600 lm
5050 Version	Efficiency Lumen	155 lm /w 23250 lm	165 lm /w 24750 lm	160 lm /w 28800 lm	165 lm /w 29700 lm	155 lm /w 31000 lm	150 lm /w 36000 lm

### Version XL

Model No	ZGSM-FL07-320XL	ZGSM-FL07-320XL+	ZGSM-FL07-400XL	
Nominal Wattage	320W	320W	400W	
3030 Version	Efficiency Lumen	155 lm /w 49600 lm	160 lm /w 51200 lm	150 lm /w 60000 lm
5050 Version	Efficiency Lumen	165 lm /w 52800 lm	170 lm /w 54400 lm	160 lm /w 64000 lm

\*Above values are calculated based on the product with CCT over 3000K, values of 3000K are 5% lower than above values.

\*Luminous efficacy of asymmetrical is 5% lower than other light distributions.

\*Values shown are subject to ±5% tolerance.

### Electrical Data:

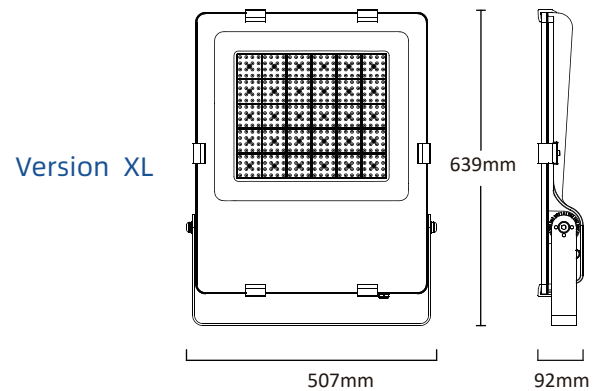
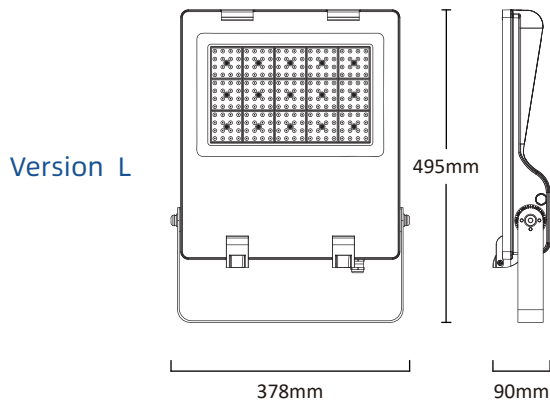
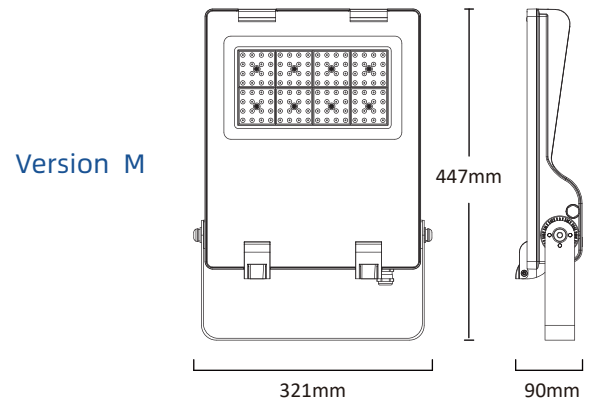
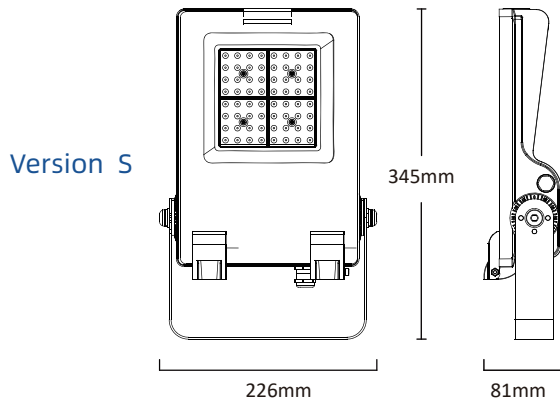
Nominal Voltage	AC 100-240V / 277V   50 / 60Hz
LED	Philips Lumileds
Driver	Default: Inventronics for 30-320W, SOSEN for 400W / Other brands on request
Power Factor (PF)	>0.95
THD	<15
SPD	10KV (Build-in Driver) / Extra 10KV SPD (Order on request except version XL)
Optics	25°, 60°, 90°, 120° or Asymmetrical
Standard Deviation of Color Matching	<5 SDCM
CRI	Ra>70 (Default) / Ra>80
CCT	3000K, 4000K, 5000K, 5700K

## Product Datasheet

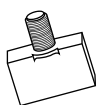
### General Data

Body Material	High pressure die-cast aluminum
Housing Color	Gray (Default) /Black (available on request)
Cover Material	Tempered glass
Lens Material	UV-resistant Polycarbonate
Working Environment	-40°C ~ +50°C, 10% ~90%RH
Lifespan L70 at 25 °C	>100, 000 h
Mounting Type	Bracket mounted
Mounting Location	Wall /Pole /Floor /Ceiling
Dimmable	1-10V Dimming (Default) /Timer Dimming
Protection Class	Class I (Default) /Class II (30W-240W)
Standards	CE, RoHS, ENEC, CB, LM79, LM80, TM-21, IP66, IK10
Available on request	Photocell, Motion sensor, NTC, OLC, Solar Compatible, DALI Dimming

### Product dimensions



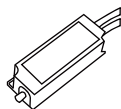
### Optional accessories



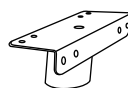
Photocell



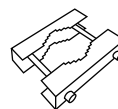
PIR Sensor



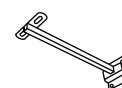
Smart Controller



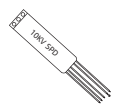
Pole Adapter



Clamp Bracket



Mounting Arm



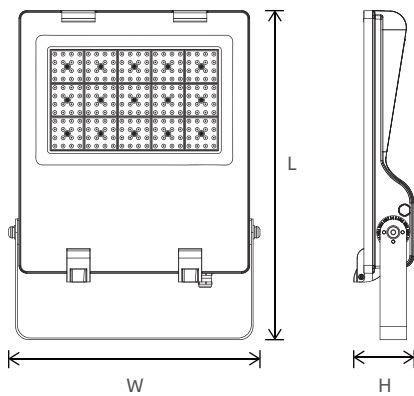
Extra 10KV SPD

## Product Datasheet

### Structure Drawing:



### Dimension:

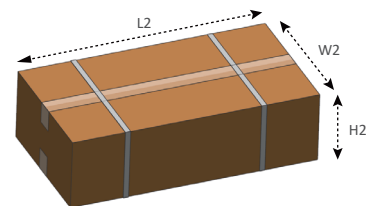
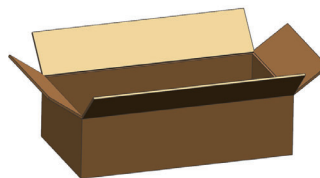


#### Fixture Information

Version	L1 xW1 xH1	Weight
S	345 x226 x81mm	2.3kg
M	447 x321 x90mm	4.4kg
L	495 x378 x90mm	6.0kg
XL	639 x507 x92mm	12.0kg

#### Package Information

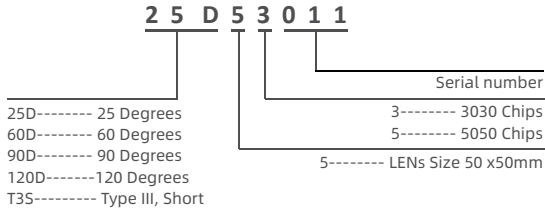
Version	L2 xW2 xH2	Weight
S	350 x295 x145mm	2.9kg
M	425 x385 x140mm	4.9kg
L	470 x445 x145mm	6.7kg
XL	655 x570 x180mm	13.5kg



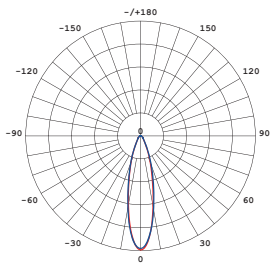
## Product Datasheet

## Light Distributions

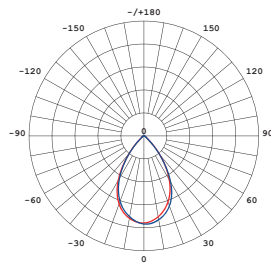
## Order reference



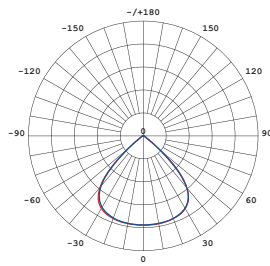
## 3030 Version



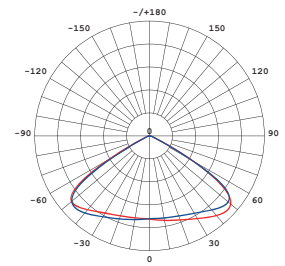
25D53011



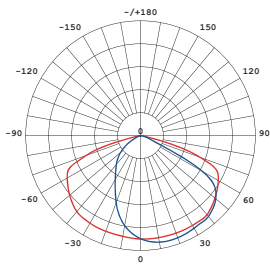
60D53012



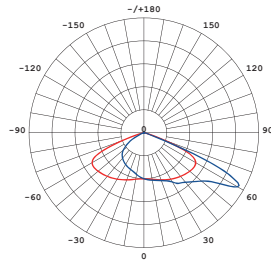
90D53013



120D53014

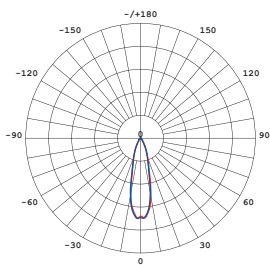


T3S53002

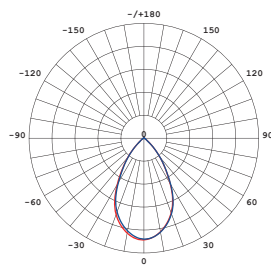


T3S53003

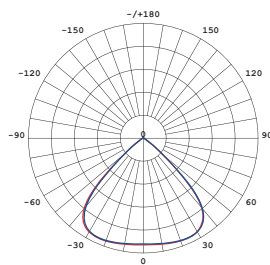
## 5050 Version



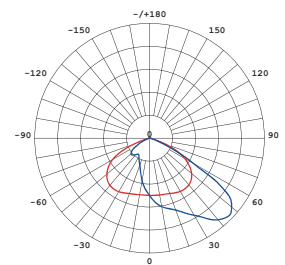
25D55017



60D55015



90D55016



T3S55006