

# STELLAR LED Flood Light



## Areas of application

- Replacement for floodlights of halogen flood lights
- Garages
- Public areas
- Building facades
- Construction areas
- Billboard

## Product Benefits

- Ideal for retro-fit of existing halogen fixtures
- No upper light output ratio (ULOR 0%) when mounted at 0° tilt
- Optimized weight and size due to compact design
- Energy savings of up to 90 % compared to halogen flood lights
- No mercury or other hazardous materials
- 2 years warranty

## Product Features

- Luminaire efficacy: up to 120 lm/w
- Symmetrical beam angle: 110° x 110°
- Angled (30°) mounting bracket and up to 180° tilting
- Type of protection: IP66
- Impact resistance: IK08
- Available with PIR Sensor



## Product Datasheet

### Electrical Specifications:

Model No.	ZGSM-FL08-10	ZGSM-FL08-20	ZGSM-FL08-30	ZGSM-FL08-50
Nominal Wattage	10W	20W	30W	50W
Nominal Voltage	AC 220-240V			
Mains Frequency	50 /60Hz			
LED	SMD2835			
Driver	Integrated LED driver			
Power Factor (PF)	> 0.95			
THD	< 15			
SPD	2KV			

### Photometric Specifications:

Luminous Efficacy ( ±5%)	120 lm /w	120 lm /w	115 lm /w	115 lm /w
Lumen Output ( ±5%)	1200 lm	2400 lm	3450 lm	5750 lm
Optic	110° x110°			
Standard Deviation of Color Matching	<5 SDCM			
CRI	80			
CCT	4000K, 5000K			

### Dimension & Weight

Fixture Dimension (mm)	88 x27 x112	108 x27 x137	134 x31 x161	171 x32 x207
Fixture Weight (kg)	0.2	0.3	0.5	0.8
Packing Type	36units /ctn	30units /ctn	20units /ctn	12units /ctn
Packing Dimension (mm)	335 x250 x210	360 x190 x315	350 x205 x300	370 x245 x235
Packing Weight (kg)	8.6	10.6	11.8	11.1

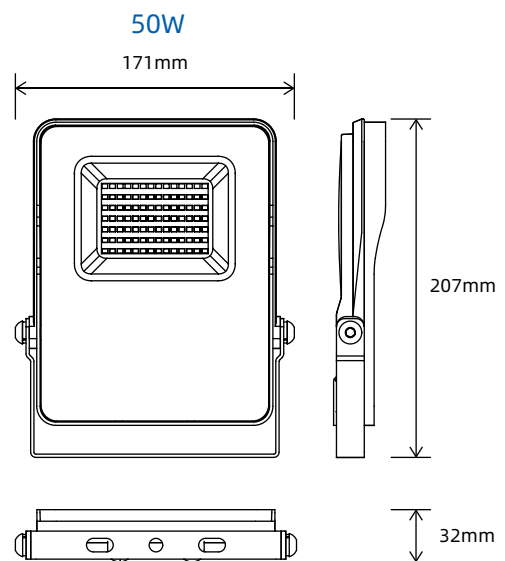
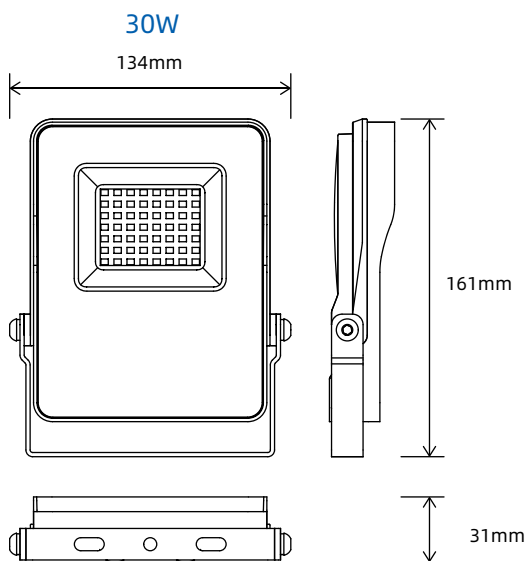
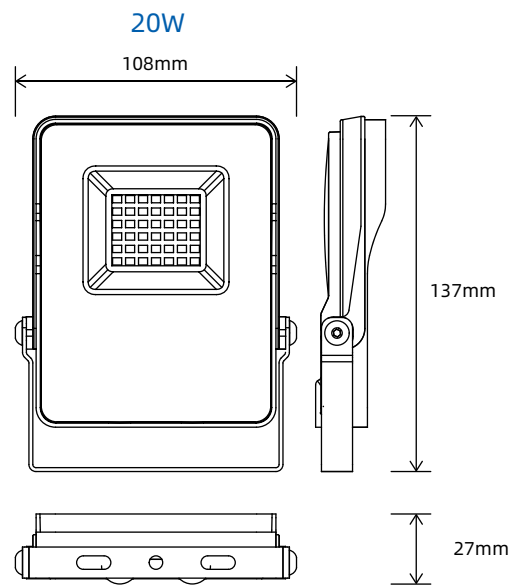
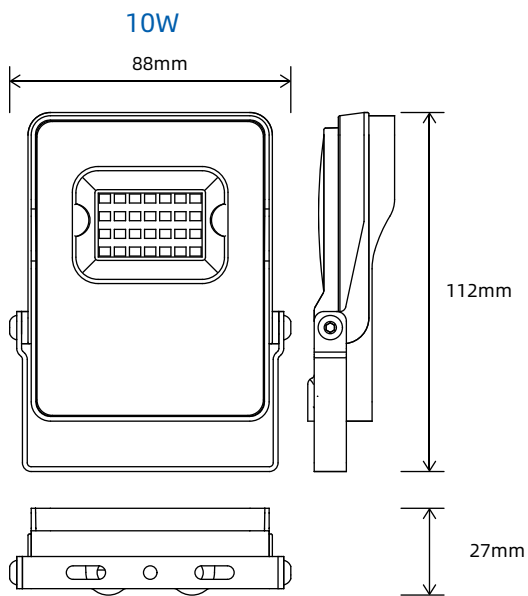
### Mechanical Specifications

Body Material	Aluminum
Housing Color	Black
Cover Material	Tempered glass
Cable Length	200 mm
Ambient Temperature Range	-40°C ~ +50°C
Number of Switching Cycles	100, 000
Lifespan L70 at 25 °C	50000 h
Mounting Type	Surface
Mounting Location	Wall /Pole /Floor /Ceiling
Adjustable	Yes
Dimmable	No
Type of Connection	Cable, 3-pole
LED Module Replaceable	Not replaceable

### Certificates & standards

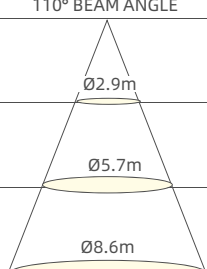
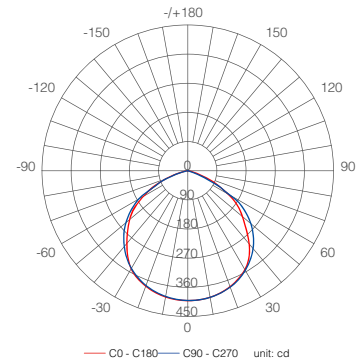
Protection Class IK (shock resistance)	IK08
Protection Class	Class I
Type of Protection	IP66
Standards	CE /RoHS

Dimension



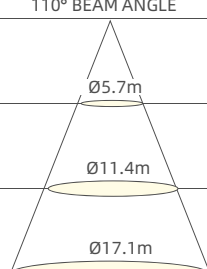
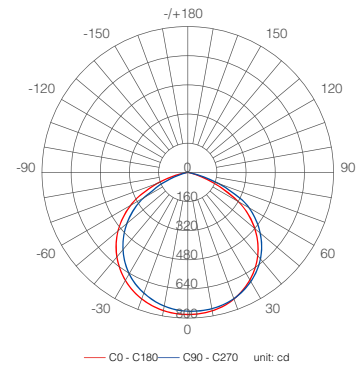
### 10 WATTS

DISTANCE	110° BEAM ANGLE	LUX (AVG)
1m	Ø2.9m	130 lx
2m	Ø5.7m	32 lx
3m	Ø8.6m	14 lx

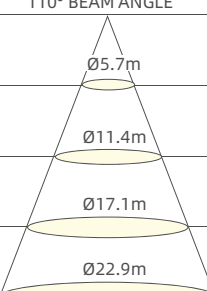
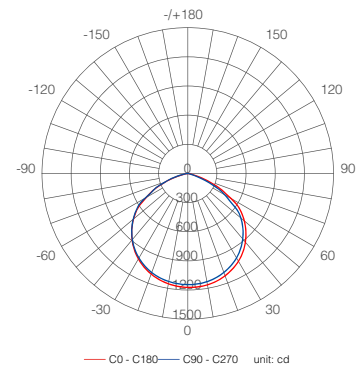
### 20 WATTS

DISTANCE	110° BEAM ANGLE	LUX (AVG)
2m	Ø5.7m	63 lx
4m	Ø11.4m	16 lx
6m	Ø17.1m	7 lx

### 30 WATTS

DISTANCE	110° BEAM ANGLE	LUX (AVG)
2m	Ø5.7m	95 lx
4m	Ø11.4m	24 lx
6m	Ø17.1m	11 lx
8m	Ø22.9m	6 lx

### 50 WATTS

DISTANCE	110° BEAM ANGLE	LUX (AVG)
2m	Ø5.7m	156 lx
4m	Ø11.4m	39 lx
6m	Ø17.1m	17 lx
8m	Ø22.9m	10 lx
10m	Ø28.6m	6 lx

